

SUPPLEMENTAL INSTALLATION INSTRUCTIONS

Amarr Manufactured Residential Steel Garage Doors

Amarr manufactures & distributes garage doors under the following brand names and trademarks:

Amarr® - Heritage™, Classica®, Stratford®, Oak Summit®
Reliabl®t®, Sears, ComfortWorld™, & Champion®



165 Carriage Court, Winston Salem, NC 27105
www.amarr.com - 877-512-6277

To download instructions:
www.amarr.com

IMPORTANT Wind & Load Notice

- Contact your local building official for specific Wind & Load requirements in your area.
- Doors must be designed with Wind & Load requirements in mind.
- The forces a garage door system transmits to the building structure openings, such as jambs, spring anchor pads, headers, and horizontal track must be considered.

DANGER

Extreme tension can cause serious injury or death.
DO NOT adjust, repair, or remove bottom door brackets, red colored fasteners, or any parts to which cables and/or springs are connected. These parts are under extreme tension and can cause serious injury or death.
Adjustments or repairs must ONLY be made by a trained door systems technician using proper tools and instructions.

NOTICE

Failure to comply with these instructions invalidates the warranty. Before you begin the installation, read all of the instructions thoroughly.

Page 1 - Slide Lock Installation

Page 5 - Track Hanger Installation

Page 2 - Perimeter Seal

Page 6 - Extension Spring Installation

Page 3 - Low Head Room Front Mount

Page 7 - Low Head Room Extension

Page 4 - Low Head Room Rear Mount

Page 8 - Garage Door Operator Attachment

Slide Lock Installation Instructions

NOTE: Do not install Slide Locks if your door is equipped with an Electric Garage Door Opener.

NOTE: Locks (including Slide Locks) will damage your Electric Garage Door Opener and your door if the lock is engaged when the operator tries to raise the door. This will invalidate the door warranty.

NOTE: If you are going to install an Electric Garage Door Opener later, remember to remove or disable the Slide Locks. You can disable the lock by opening the dead bolt and putting a lock or bolt through the lock hole (Fig 4).

Note: Doors may not be supplied with Slide Locks and fasteners. These items must be purchased separately.

Note: These instructions show a Double Layer door but apply to Single and Triple layer doors as well.

Note: It is best to knock out the tab on the track from the inside of the track, before the track is installed.

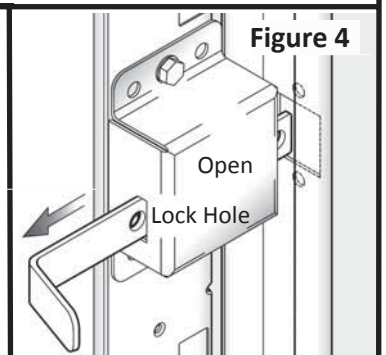
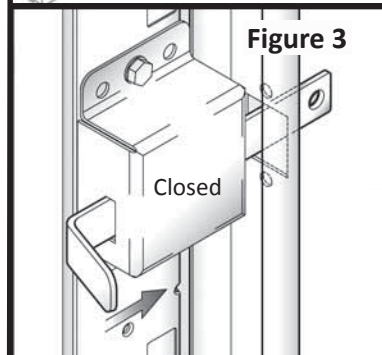
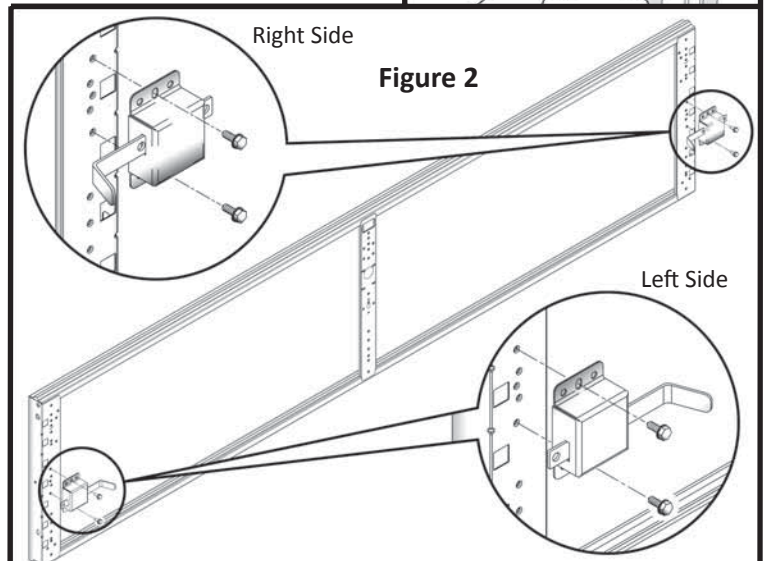
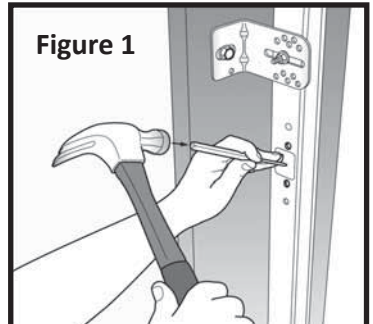
Step 1: (Right Side) Using a hammer and punch, knock out the pre-punched rectangular metal tab from the Horizontal Track (Fig 1).

Step 2: With your door in the fully closed position, locate your lock so that the slide will line up with the center of this rectangular hole (Fig 3, Fig 4). Securely fasten the Slide Lock to the 2nd section with (2) 1/4" x 5/8" Universal Screws (Fig 2). You may need to pre-drill 3/32" pilot holes if holes in the section do not line up with this location.

Step 3: With your door in the fully closed/down position, test the Slide Lock for ease of operation. Adjust the lock up or down if necessary (Fig 3, Fig 4).

Repeat Steps 1-3 for the left side.

NOTE: Other locks may be provided with your doors. Refer to installation instructions included with the lock for details.



Perimeter Seal Installation Instructions

Note: Doors are not supplied with Perimeter Seal or fasteners. These items must be purchased separately.

Note: The Perimeter Seal shown here has a vinyl flap. Perimeter Seal is available with no flap. Skip Step 8 for seal with no vinyl flap.

Note: A Hacksaw is required for smooth, accurate cuts.

Step 1: Measure horizontally across the top of your Header (Fig 1). This may require two people to hold the tape measure.

Step 2: Mark your first piece of Perimeter Seal for cutting (Fig 2).

Step 3: Using a Hack Saw (Fig 3), carefully cut the Perimeter Seal to length.

Step 4: Starting at the end (Fig 4), tap the fasteners halfway into the seal, beginning at 6" from the end and continuing every 12" on center.

Step 5: Holding the seal in place (the edge with the flap should be flush with the inside of the jamb) (Fig 5 & 6), hammer the fasteners partially into the jamb. This will allow for slight adjustments later.

Step 6: Measure the vertical (left side) of your Jamb (Fig 1). Mark your second piece of Perimeter Seal for cutting (Fig 2).

Step 7: Using a Hack Saw (Fig 3), carefully cut the Perimeter Seal to length.

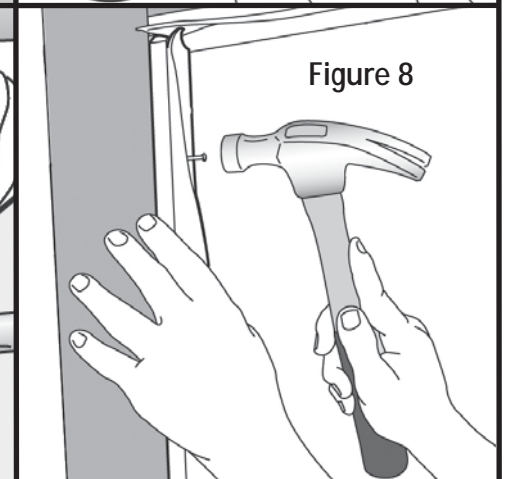
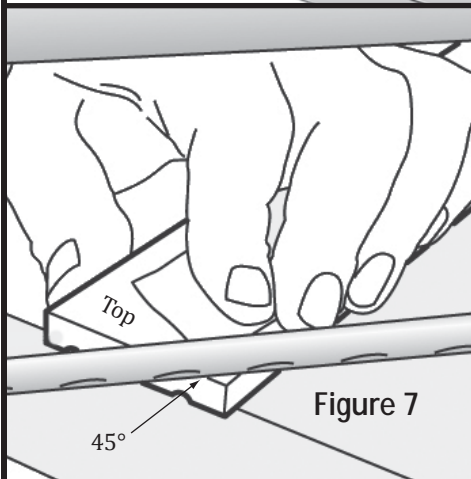
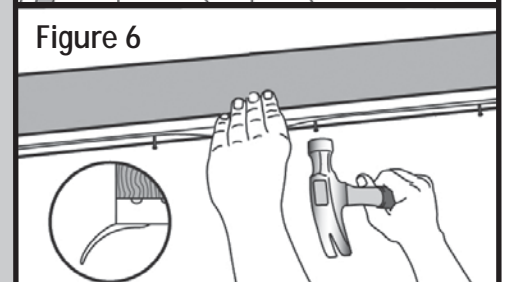
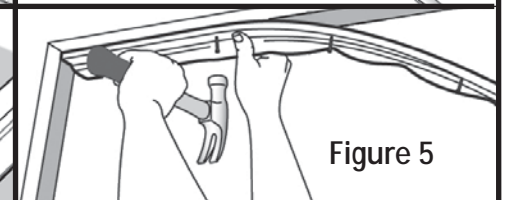
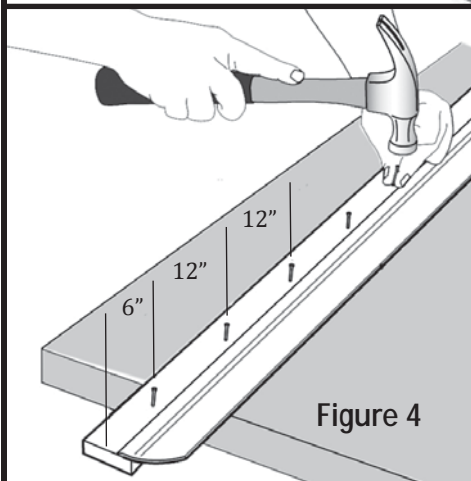
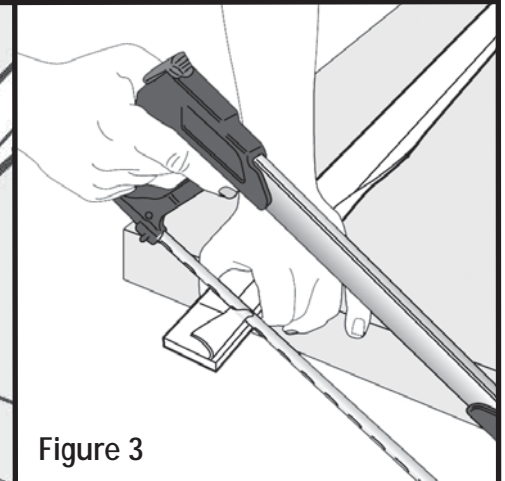
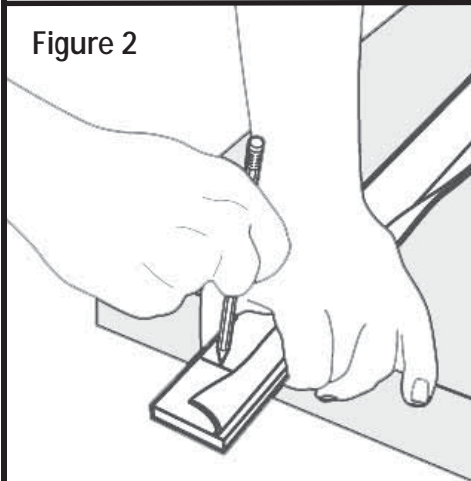
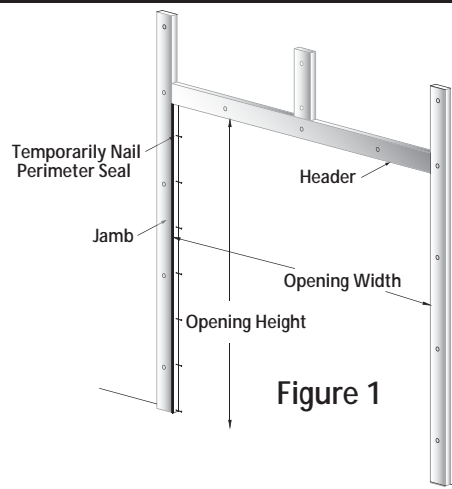
Step 8: Cut a 45° angle through the molding where it meets the top, horizontal piece (Fig 7). This will allow the flap on the horizontal seal to lay down flush with your door.

Step 9: Starting at the top (Fig 4), tap the fasteners halfway into the seal, beginning at 6" from the top and continuing every 12" on center.

Step 10: Holding the seal in place (the edge with the flap should be flush with the inside of the jamb) (Fig 8), hammer the fasteners partially into the jamb. This will allow for slight adjustments later.

Repeat Steps 6 - 10 for the right side Perimeter Seal.

Step 11: When your door is installed, balanced and closed with either the operator or lock, you may completely nail the Perimeter Seal to the jambs (making any slight adjustments as required).



Low Head Room Front (LHF) Track Installation Instructions

Step 1: Horizontal Track to Flag Bracket Attachment (Left Side Assembly Shown)

Place the curved end of Upper Horizontal Track assembly over the roller in the top fixture (refer to page 5, step 24 for Low Head Room Top Fixture installation) and attach to the flag bracket with (2) 1/4"x5/8" Track Splice Bolts and (2) 1/4"-20 Hex Nuts (Figure 1A). Temporarily support the back end of the track using a rope or wire attached to the ceiling.

Note: 1/4"-20 Hex Nuts always go to the outside of the track.

Note: In a Low Head Room installation, only the Top Rollers go into the Upper Horizontal Track. All other Rollers go into the Lower Horizontal Track.

Step 2: Starter Plate to Flag Bracket Attachment

Attach the end of the Starter Plate to the Flag Bracket with (1) 3/8"x3/4" Low Shoulder Carriage Bolt and (1) 3/8"-16 Hex Nut (Figure 1B).

Note: 3/8"-16 Hex Nuts always go on the outside of the assembly (away from the door).

Step 3: Track Hanger Installation

SEE PAGE 4 OF THE SUPPLEMENTAL INSTRUCTIONS FOR DETAILS.

Note: Repeat steps 1-3 for Right Side Horizontal Track to Flag Bracket Attachment.

Important: Track needs to be spaced 3/8" from the sections to prevent the sections from falling out of the track.

Step 4: Inspecting the Track Installation

Make sure track is level and square with the opening (Figure 1). Make sure that the distance between the track and the door is the same at the bottom of the vertical track, at the curve of the horizontal, and at the back of the horizontal track (approximately 3/8"). Adjustment to the track position may need to be made later, after the door is opened to maintain the proper spacing.

Step 5: Remove all Temporary Nails

Step 6: Pull Rope Installation

If an electric opener is not used, attach one end of the pull rope to the Safety Bottom Bracket and the other end to the second jamb bracket.

⚠ DANGER For Torsion Spring Installation, go to page 7 of the Door Installation Instructions.

⚠ DANGER For Extension Spring Installation, go to page 7 of these instructions.

After the springs are installed, proceed to page 6, Step 35 of the door Installation Instructions to finish the installation.

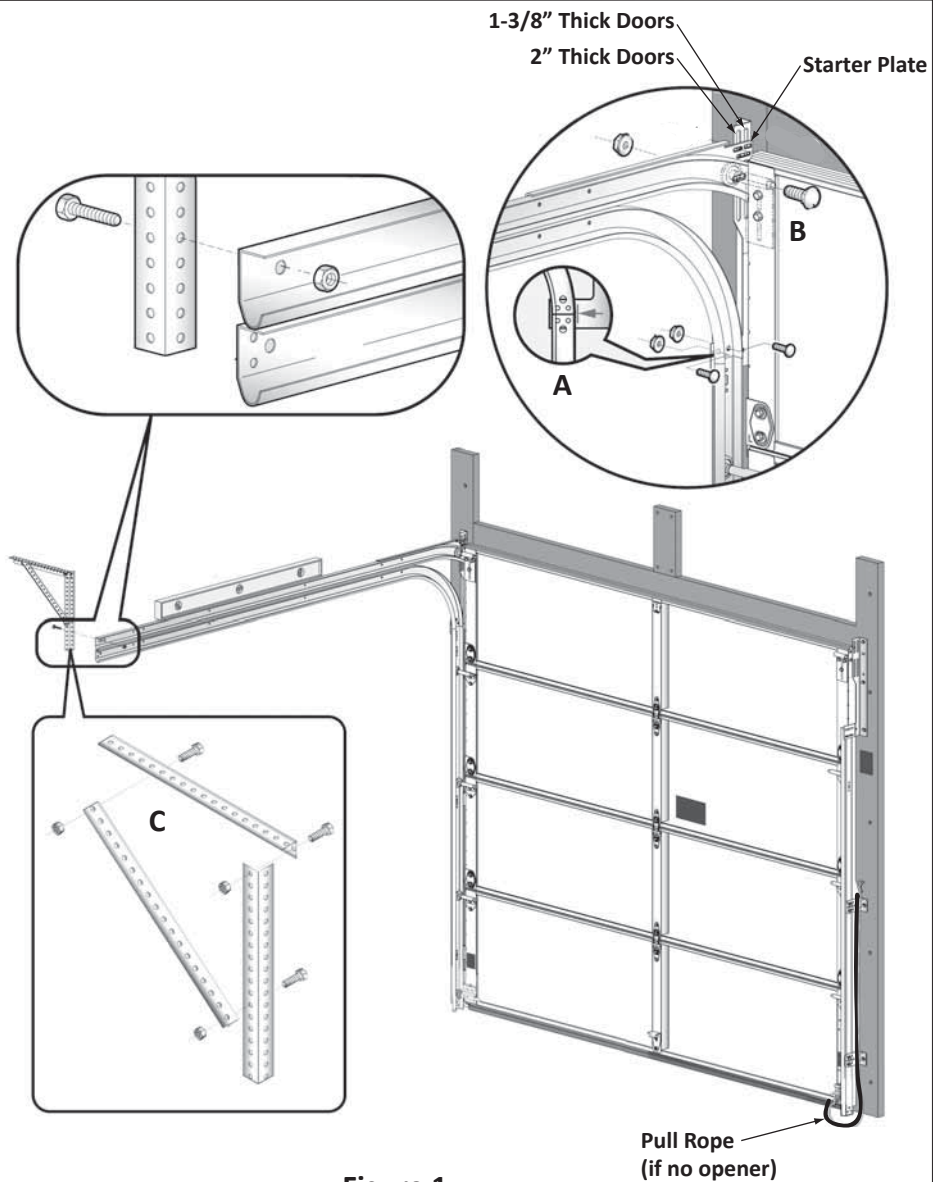
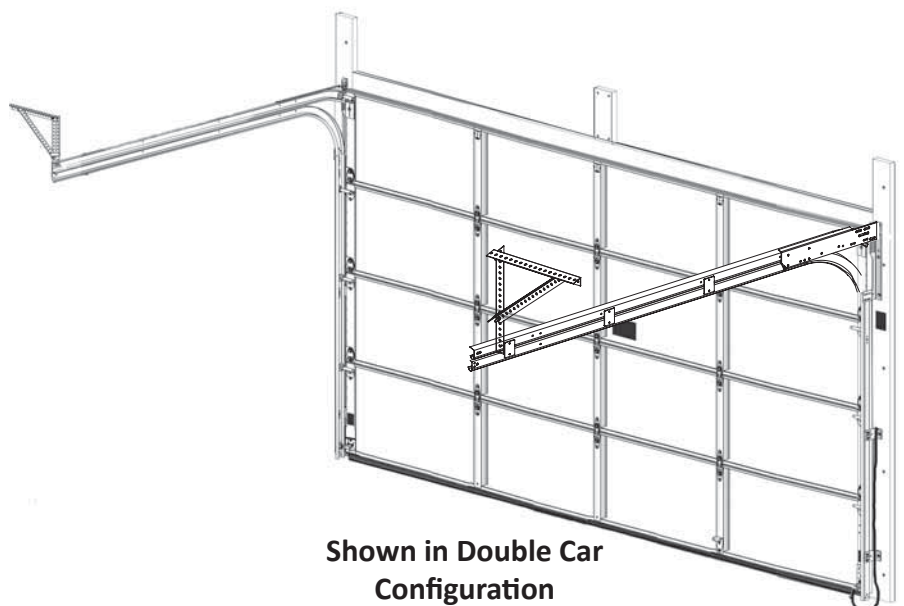


Figure 1



Shown in Double Car Configuration

READ THE OWNERS MANUAL FOR OPERATION, WARRANTY, SAFETY, AND MAINTENANCE INSTRUCTIONS.



DANGER

Extreme tension can cause serious injury or death.

DO NOT adjust, repair, or remove bottom door brackets, red colored fasteners, or any parts to which cables and/or springs are connected. These parts are under extreme tension and can cause serious injury or death. Adjustments or repairs must ONLY be made by a trained door systems technician using proper tools and instructions.

Low Head Room Rear (LHR) Mount Track Installation Instructions

Step 1: Attach the Low Head Room Bottom Bracket to the bottom of the section. Install the Out Side Hook-Up (OHU) Bottom Bracket into holes #21, #22, & #18 as shown in Fig 1, using (3) 1/4"x5/8" RED Universal Fasteners. Repeat for the left side Bottom Bracket.

Step 2: Attach the Track Hangers as shown on Page 4 of the Supplemental Instructions (left & right). Do not fasten to end of track. Fasten next to the Junction Plate as shown in Fig 2 (right shown).

Step 3: Fasten the Right Side Flat End Bearing Plate as shown in Fig 3, using (2) 3/8"x1-1/2" Machine Bolts and (2) 3/8"-16 Hex Nuts as show (Fig 3). Repeat this step with the Left Side Flat End Bearing Plate.

Step 4: Install the Torsion Shaft with the Spring(s) and Nylon Bearing, through the Flat End Bearing Plates (Fig 4).

Note: Springs are reversed due to outside hook-up. Black Cone spring mounts on the left, Red Cone spring mounts on the right.

Step 5: Using the Torsion Shaft as a reference and keeping the shaft level, install an additional Track Hanger assembly to support the Center Bearing Plate (Fig 5).

Note: This Track Hanger and Center Bearing Plate must be centered in the middle of the Torsion Shaft.

WARNING This Track Hanger Assembly will not only support the Center Bearing Plate but will need to be strong enough to withstand the torque produced by the spring(s). Additional Lag Bolts into your structure are recommended.

Step 6: Attach the Center Bearing Plate to the center Track Hanger with (2) 3/8"x1-1/2" RED Machine Bolts and (2) 3/8"-16 RED Hex Nuts (Fig 5).

Note: Be sure the Torsion Shaft is level.

Step 7: Install the Left Side/Black Cone Spring and Nylon Bearing as shown in Figure 5. Attach the spring to the Center Bearing Plate with (2) 3/8"x1-1/2" RED Machine bolts and (2) 3/8"-16 RED Hex nuts.

Step 8: Install the Cable Drum (marked Black) onto the right side of the shaft as shown in Figure 6. Slide the Cable Drum (marked Red) on the left side of the shaft, outside of the track, as shown in the assembled drawing.

Step 9: Attach a pulley to the right side Sheave Support (Fig 7A) with (1) 3/8"x1-1/2" RED Machine bolt and (1) 3/8"-16 RED Hex nut. Repeat for the left side Pulley.

Step 10: Attach the Sheave Support to the Starter Plate, with the pulley attached (Fig 7B) in a slot and hole, between the upper and lower horizontal track, with (2) 1/4-20x1 Machine bolt and (2) 1/4-20 Hex Nuts. Repeat for the left side Sheave Support.

Step 11: Attach the looped end of the Lift Cable to the right side OHU Bottom Bracket (Fig 1 & 6). Loop the cable over the Pulley and run back under the Drum, inserting the cable stop into the slot in the Drum. Repeat for the left side Drum.

Step 12: Pull Rope Installation

If an electric opener is not used, attach one end of the pull rope to the Safety Bottom Bracket and the other end to the second jamb bracket.

DANGER For Torsion Spring Installation, go to page 7 of the Door Installation Instructions.

After the springs are installed, proceed to page 6, Step 35 of the Door Installation Instructions to finish the installation.

Assembled View

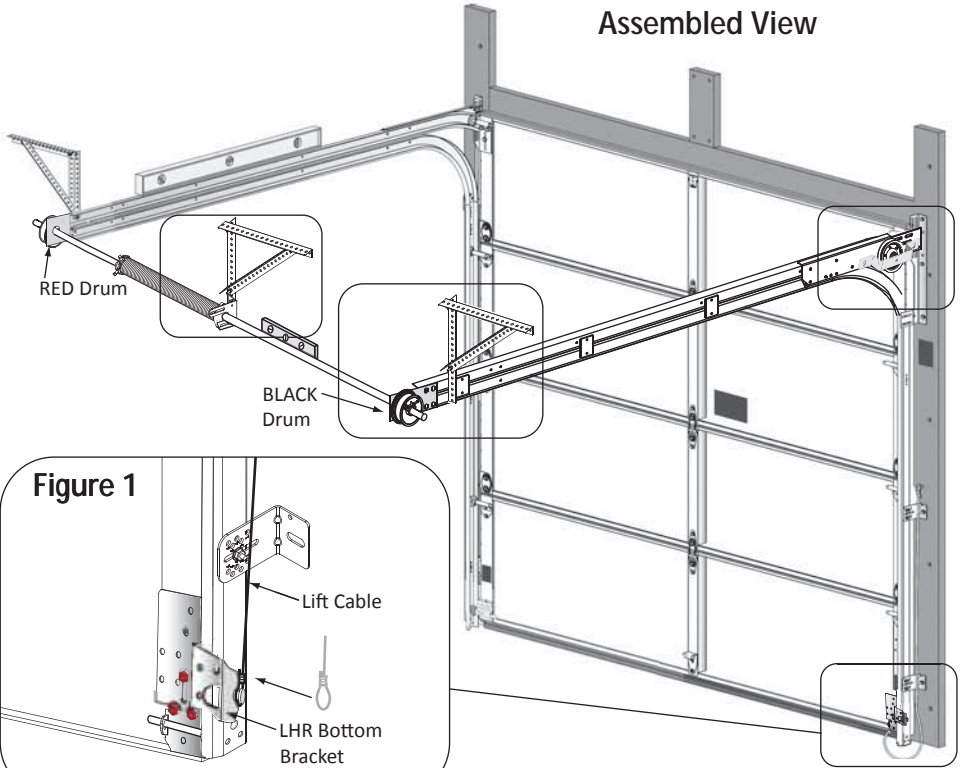
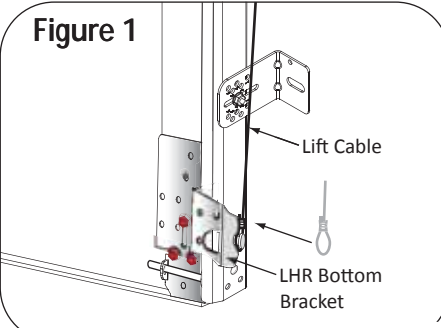


Figure 1



Right Side Shown

Figure 2

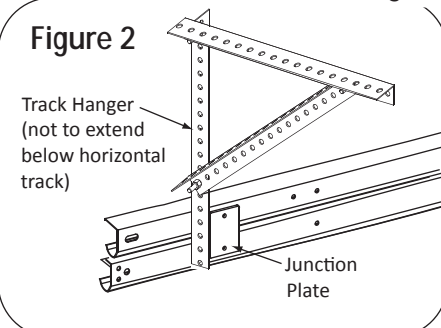


Figure 3

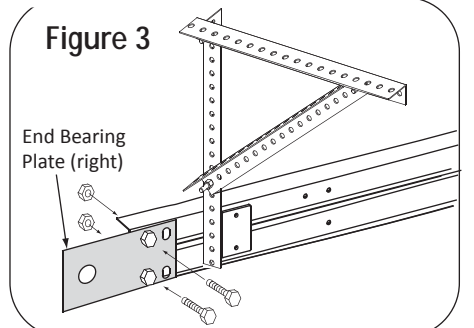


Figure 4

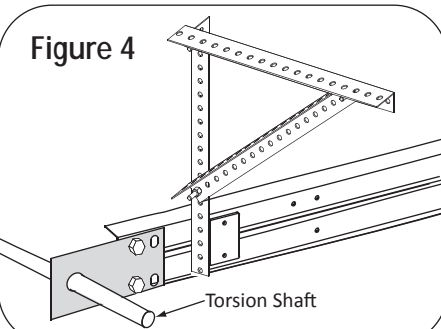


Figure 5

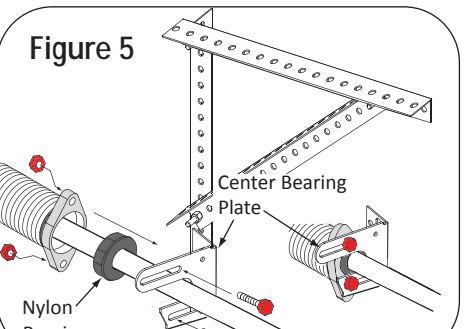


Figure 6

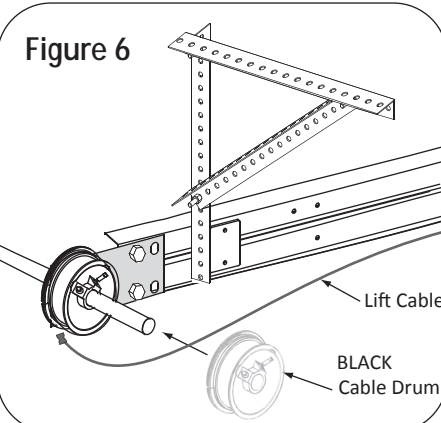
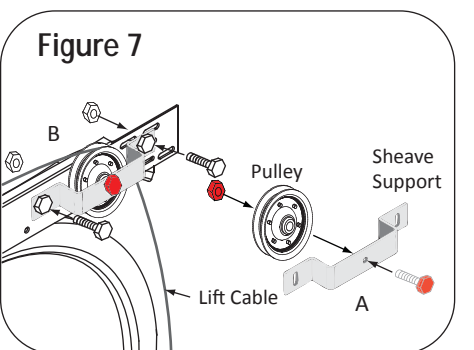


Figure 7



Track Hanger Installation Instructions

Note: Doors are not supplied with Track Hanger or fasteners. These items must be purchased separately.

Step 1: (Right Side shown) Keeping the horizontal track square, level, and parallel to each other, mark a spot on your ceiling directly above the end of the horizontal track (Fig 1). Note: If your ceiling is not finished in sheet rock, skip to step 3.

Step 2: Using a hammer, tap around your mark to find a ceiling joist/beam and mark the spot (Fig 2/3/4). Then, move to the right or left approximately 18"-24" and tap around to find a second ceiling joist/beam (Fig 2/3).

Step 3: Mark and cut a piece of hanger angle to span the distance between the ceiling joists/beams plus 4" (Fig 8/9).

Step 4: Securely fasten each end of the hanger angle to the ceiling joists/beams using (2) 5/16"x1-5/8" Lag Bolts (Fig 5/6). Note: Pre-drill the two 3/16" holes to prevent splitting of the wood.

Step 5: Measure the distance from the bottom of the Horizontal Track to the top of the Hanger Angle (Fig 7). Mark and cut a piece of Hanger Angle this distance (Fig 8/9).

Step 6: Mark and cut a short piece of Hanger Angle to form a 45° brace (Fig 8/9/10). Securely fasten the Hanger Angles using (3) 3/8"x1-1/2" Machine Bolts and (3) 3/8"-16 Hex Nuts as shown in Figure 10.

Step 7: (Standard Lift) Securely fasten the vertical Hanger Angle to the Horizontal Track using (1) 3/8"x1-1/2" Machine Bolt and (1) 3/8"-16 Hex Nut (Fig 11).

Step 7: (Low Head Room) Securely fasten the vertical Hanger Angle to the Upper Low Head Room Horizontal Track using (1) 3/8"x1-1/2" Machine Bolt and (1) (1) 3/8"-16 Machine Bolt (Fig 12).

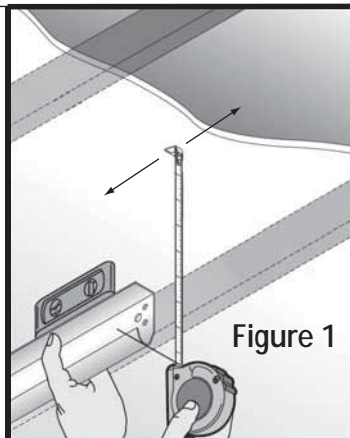


Figure 1

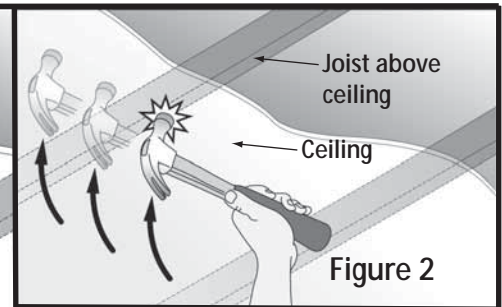


Figure 2

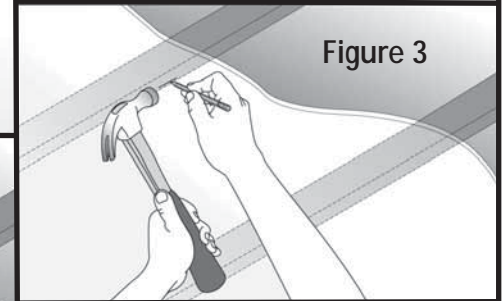


Figure 3

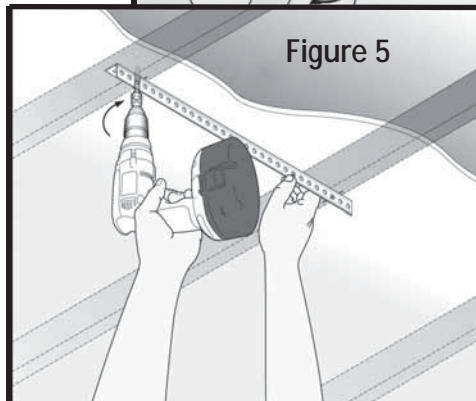


Figure 5

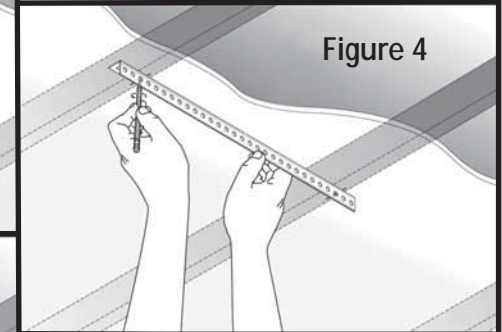


Figure 4

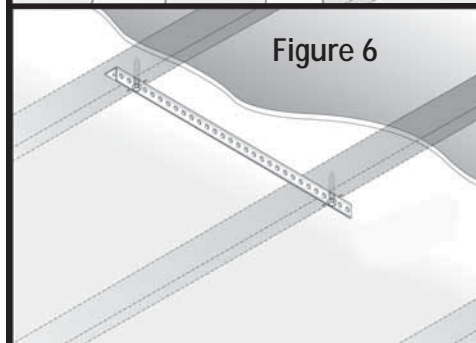


Figure 6

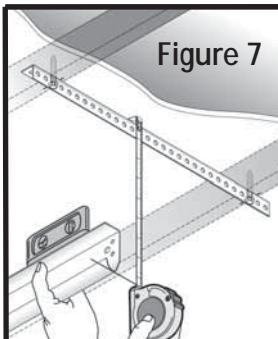


Figure 7

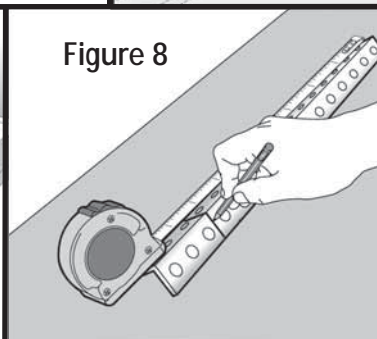


Figure 8

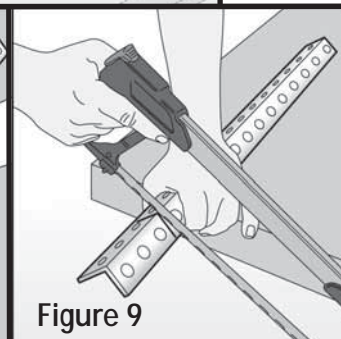


Figure 9

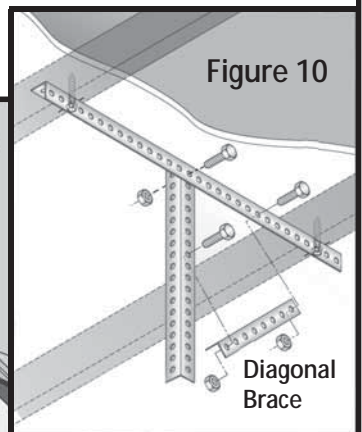


Figure 10

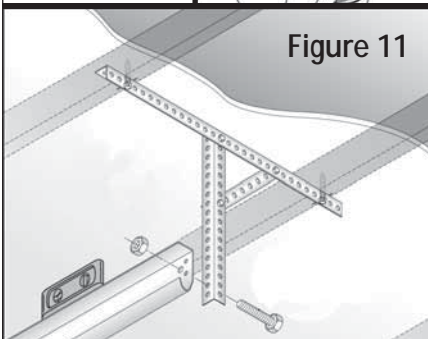


Figure 11

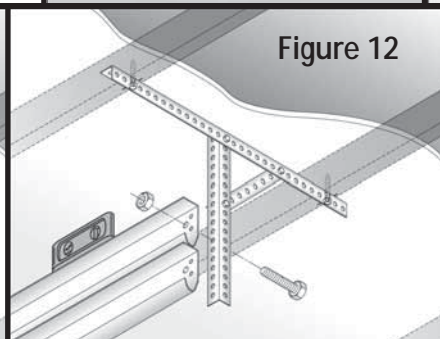
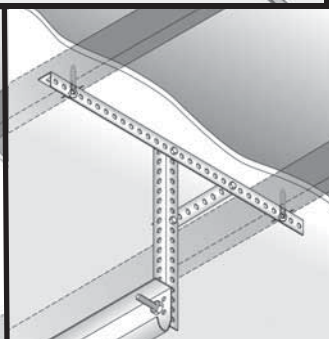
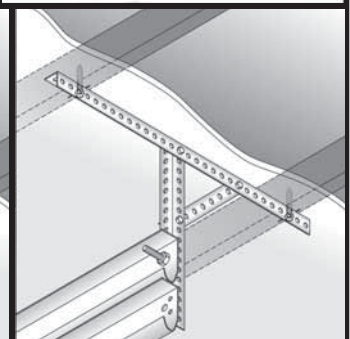


Figure 12



Finished Standard Assembly



Finished Low Head Room Assembly

Extension Spring Installation Instructions Standard Lift

Step 1: Bolt the Stationary Pulley (right side) to the inside of the Horizontal Angle, through the 3rd open hole out from the jamb, using (1) 3/8"x1-1/2" machine bolt and 3/8"-16 RED nut (Figure 1). Be sure the Pulley turns freely.

Note: Bolt and nut go to outside of horizontal angle.

⚠ WARNING Doors vary widely in weight. Do not attempt the next step without assistance.

Step 2: Remove any nails remaining in the jamb. Then, two people should carefully raise the door half-way to check spacing of the Horizontal Track (door should be spaced approximately 3/8" from track).

When it is determined that the track spacing is correct, raise the door to the fully opened position. Clamp the door open using (2) Lock Grip pliers as shown (Figure 2).

Step 3: Attach the Eye Bolt to the right side diagonal Hanger Angle using (2) 5/16" RED nut (Figure 3). One Red nut goes to the inside and one to the outside to lock the Eye Bolt in place. If your door comes with (4) Extension Springs, you will need (2) Eye Bolts and (4) nuts.

Step 4: Attach a Pulley and Sheave Fork to one end of the Extension Spring using (1) 3/8"x1-1/2" machine bolt and 3/8"-16 RED nut (Figure 4). If your door comes with (4) Extension Springs, refer to Figure 4 (Two Springs)

Step 5: Attach the other end of the Extension Spring(s) to the right side Eye bolt (Figure 5).

Step 6: Your door will be supplied with (4 or 6) cables. The longer cables are the Lifting Cables and the shorter cables are the Safety Retention Cables. Install one of the Safety Retention (shorter) Cables as shown in Figure 6 (right side). For two springs, install two Safety Retention Cables.

Note: Be sure the Safety Retention Cable goes through the nylon guide in the Sheave Fork (Figure 4). This guide will prevent the cable from rubbing against the nut and bolt as the springs stretch.

NOTE: Be sure to loop the cable around the Hanger Angle and then run the cable through the spring.

Step 7: Attach the looped end of the Lifting (longer) Cable to the Cable Button on the right side Bottom Fixture (Figure 7). Then bring the cable up and over the right side Stationary Pulley as shown in Figure 7.

Step 8: Attach the "S" Hook to the right side Horizontal Angle (Fig 8) in a hole approximately 9"-12" back from the header.

Step 9: Run the Lifting Cable back to the Pulley attached to the spring and loop the cable over the top, going through the Sheave (Fig 9).

Step 10: Attach the Cable Adjustment Clip to the loose end of the Lifting Cable, exactly as shown in Figure 10.

Step 11: Attach the Cable Adjustment Clip to the "S" Hook (Figure 11). Be sure to pull out all of the slack in the cable at the Cable Adjustment Clip so the Extension Spring hangs near horizontally (Figure 13). Loop any additional cable to keep it out of the way (Figure 12)

Step 12: Tie the remaining Safety Retention Cable(s) through a hole in the Horizontal Angle between the "S" hook and the jamb (Figure 12). Loop any additional cable to keep it out of the way (Figure 12).

REPEAT STEPS 1- 12 FOR THE LEFT SIDE

⚠ WARNING Do not stand under the door.

Step 13: Carefully remove the Lock Pliers from the track. Close the door halfway. If the door wants to go down, shorten the length of both Lift Cables at the Cable Adjustment Clip. Lengthen these cables if the door wants to rise.

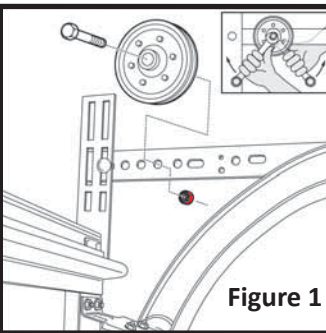


Figure 1

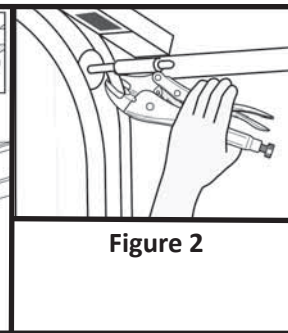
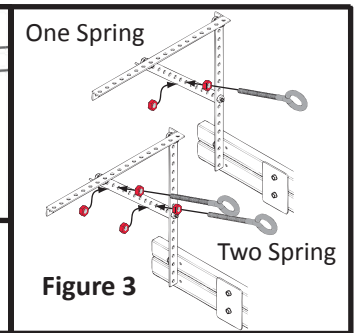


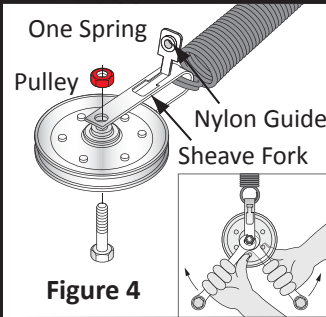
Figure 2



One Spring

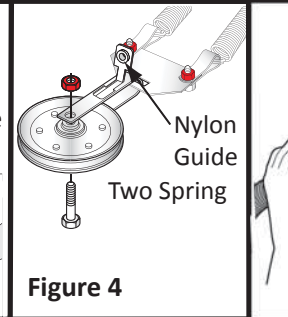
Two Spring

Figure 3



One Spring
Pulley
Nylon Guide
Sheave Fork

Figure 4



Nylon Guide
Two Spring

Figure 4

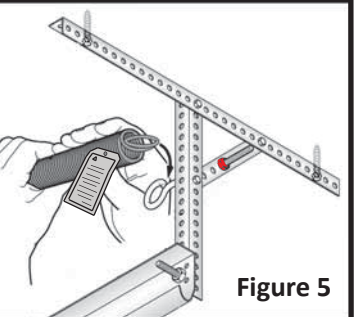


Figure 5

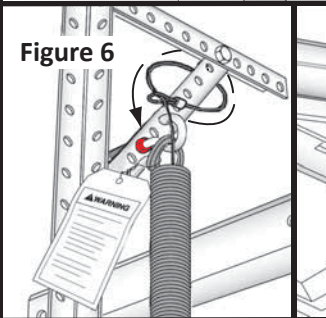


Figure 6

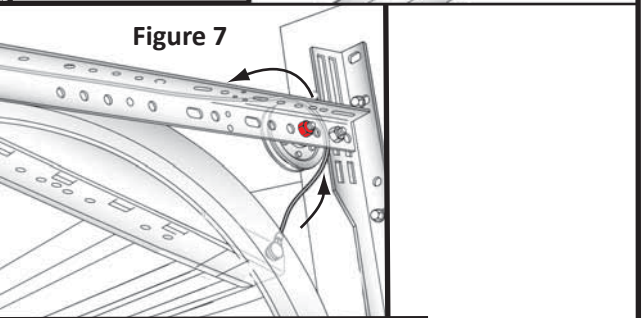


Figure 7

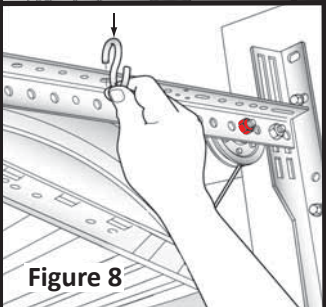


Figure 8

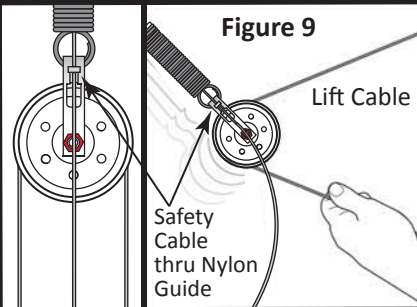
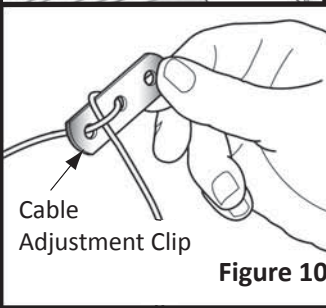


Figure 9

Lift Cable

Safety Cable thru Nylon Guide



Cable Adjustment Clip

Figure 10

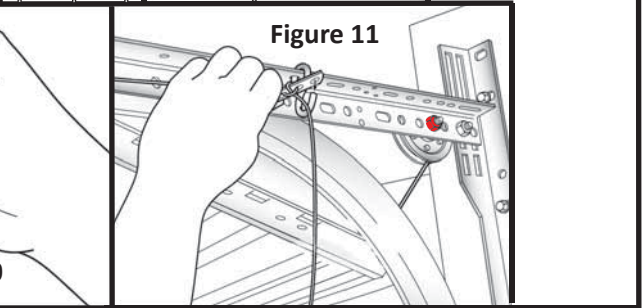


Figure 11

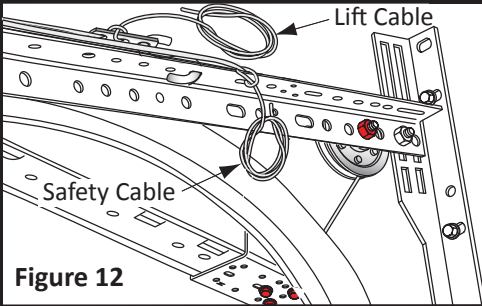
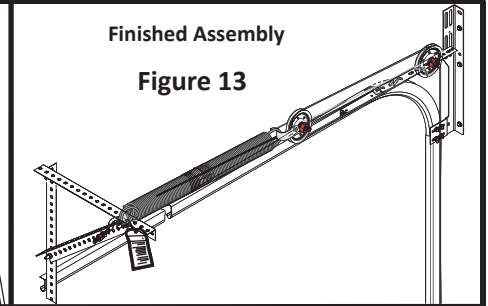


Figure 12



Finished Assembly

Figure 13

Low Head Room (LHR) Extension Spring Installation Instructions

Step 1: Attach the Low Head Room Bottom Bracket to the bottom of the section. Install the Out Side Hook-Up (OHU) Bottom Bracket into holes #21, #22, & #18 as shown in Fig 1, using (3) 1/4" x 5/8" RED Universal Fasteners. Repeat for the left side Bottom Bracket.

Step 2: Bolt the Stationary Pulley (right side) to the slot in the LHR Starter Plate (Fig 3) between the upper and lower track, using (1) 3/8"x1-1/2" machine bolt and (1) 3/8"-16 RED nut. Be sure the Pulley turns freely.

WARNING Doors vary widely in weight. Do not attempt Steps 3 & 4 without assistance.

Step 3: Remove any nails remaining in the jamb. Then, two people should carefully raise the door half-way to check spacing of the Horizontal Track (door should be spaced approximately 3/8" from track). When it is determined that the track spacing is correct, raise the door to the fully opened position. Clamp the door open using (2) Lock Grip pliers as shown (Fig 2).

Step 4: Attach the Eye Bolt to the right side diagonal Hanger Angle using (2) 5/16" RED nuts (Fig 7). One RED nut goes to the inside and one to the outside to lock the Eye Bolt in place. If your door comes with (4) Extension Springs, you will need two Eye Bolts and (4) nuts per side (Fig 7-8, Two Spring).

Step 5: Attach a Pulley and Sheave Fork to one end of the Extension Spring using (1) 3/8"x1-1/2" machine bolt and (1) 3/8"-16 RED nut (Fig 4, one spring). If your door comes with (4) Extension Springs refer to Fig 5-6, Two Spring.

Step 6: Attach the other end of the Extension Spring(s) to the right side Eye bolt (Fig 9).

Step 7: Your door will be supplied with (4 or 6) cables. The longer cables are the Lifting Cables and the shorter cables are the Safety Retention Cables. Install one of the Safety Retention (shorter) Cables as shown in Figure 10 (right side). For two springs, install two Safety Retention Cables.

NOTE: Be sure to loop the cable around the Hanger Angle and then run the cable through the spring.

Step 8: Attach the looped end of the Lifting (longer) Cable to the Cable Button on the right side Bottom Fixture (Fig 1). Then bring the cable up and over the right side Stationary Pulley as shown in Figure 3.

Step 9: Attach the "S" Hook to the right side LHR Starter Plate (Fig 14) in a slot approximately 4"-6" back from the header.

Step 10: Run the Lifting Cable back to the Pulley attached to the spring and loop the cable under the pulley, going through the Sheave (Fig 9).

Step 11: Attach the Cable Adjustment Clip to the loose end of the Lifting Cable (Fig 11).

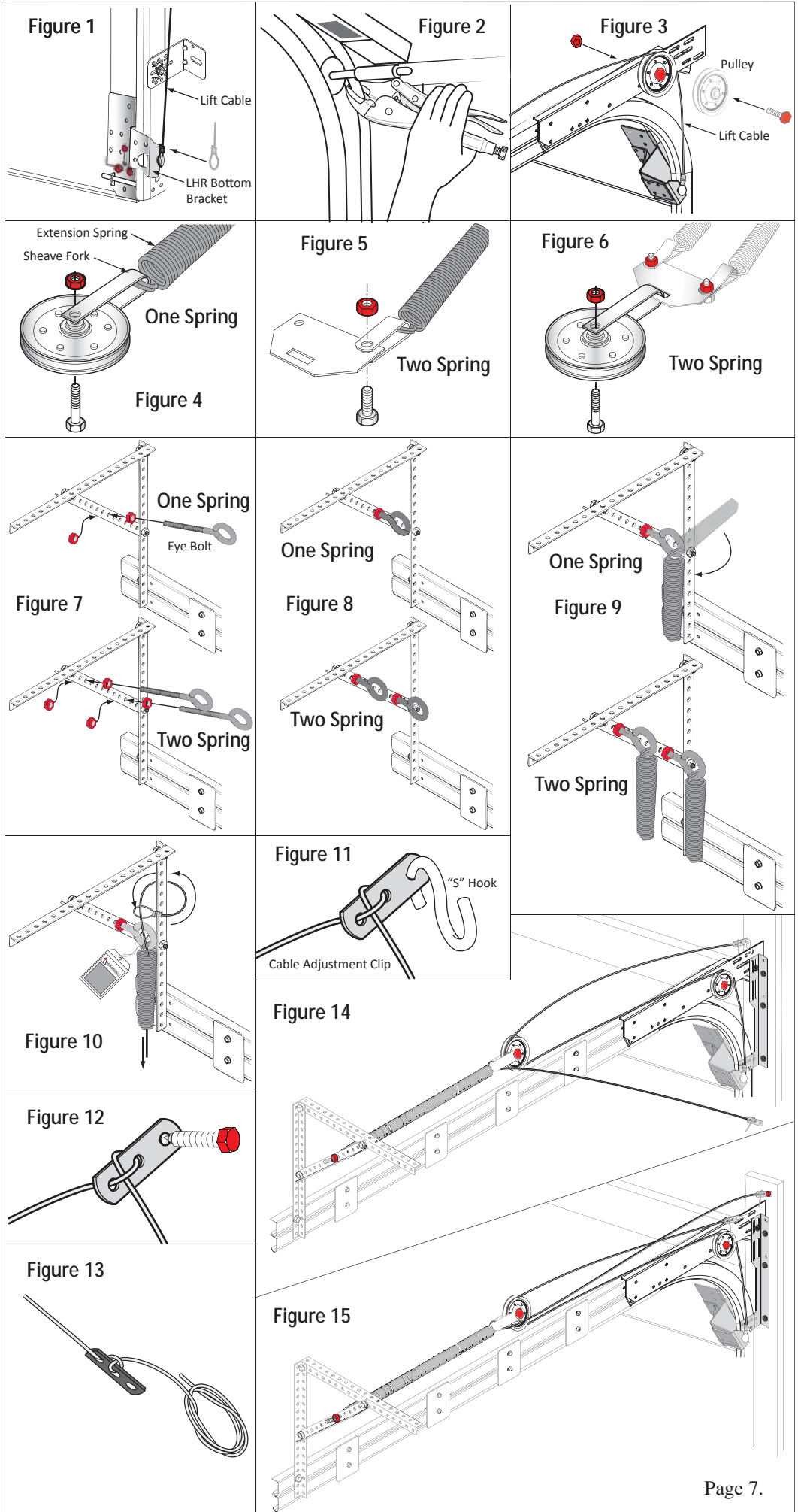
Step 12: Attach the Cable Adjustment Clip to the "S" Hook (Fig 11 & 14). Be sure to pull out all of the slack in the cable at the Cable Adjustment Clip so the Extension Spring hangs near horizontally (Fig 14 & 15). Loop any additional cable to keep it out of the way (Fig 13)

Step 13: Attach the Cable Adjustment Clip(s) to the Safety Retention Cable(s) (Fig 12). Fasten the clip(s) to the jamb using (1) 5/16"x1-5/8" Lag Bolt (Fig 12 & 13). Note: Pre-drill a 3/16" hole to prevent splitting of the wood.

REPEAT STEPS 1 - 13 FOR THE LEFT SIDE.

WARNING Do not stand under the door.

Step 14: Carefully remove the Lock Pliers from the track. Close the door halfway. If the door wants to go down, shorten the length of both Lift Cables at the Cable Adjustment Clip. Lengthen these cables if the door wants to rise.



Garage Door Opener Bracket Installation (Triple Layer Doors Only)

Note: Triple layer doors require the Garage Door Opener Bracket shown to the right (Fig 1A). This bracket is not supplied with your door and must be purchased separately.

Note: Single and Double layer doors will not require these steps. Your Garage Door Opener will come with an easy to install bracket and instructions for installation.

Note: All doors that use an electric opener require a minimum of (1) strut mounted to the top section.

WARNING If your door did not come with a strut, adding one will change the weight of your door. Different springs may be required. Check with your vendor.

Note: Before you proceed with Step 22B of the Installation Instructions, attach the Garage Door Operator Bracket to the section as shown (Fig 1).

Step 1: Attach the strut to the top of the section following the instructions from Step 22B. Before inserting the (2) 1/4"x5/8" Universal Screws in to the middle of the strut, the screws will now go through both the strut and the Garage Door Opener Bracket (Fig 1 & 2). On the lower side of the strut, you will need to use a Strut Clip as shown in Figure 2A.

Step 2: Install your top section as shown in the Installation Instructions (page 5 / Step 25-27).

Note: The Opener Bracket will mount on top of the Center Hinge, with (2) 1/4"x5/8" Universal Screws through both (Fig 3).

Step 3: Attach the Opener Arm to the pin in Figure 2B.

For further information concerning installation of your Electric Garage Door Opener, consult the manufacturer's instructions.

